



PERFORMANCE EXHAUST SYSTEMS

TO ORDER CALL 1.888.2THERMAL

YEAR	MAKE	MODEL	PART #
------	------	-------	--------

Acura Systems

90-91	Acura	Integra 3-door, all models	B111-C108
92-93	Acura	Integra 3-door, all models	B110-C108
94-99	Acura	Integra 3-door LS & RS,	B112-C110
92-93	Acura	Integra 4-door, all models	B108-C111
94-95	Acura	Integra 4-door VTEC	B105-C105
94-99	Acura	Integra 3-door VTEC	B113-C110
94-99	Acura	Integra Type R	B112-C110
91-94	Acura	NSX	M150

Acura Systems - Turbo 3"

90-93	Acura	Integra 3-door, all models	B138-C138
94-99	Acura	Integra 3-door, all models	B130-C130
94-99	Acura	Integra 4-door, all models	B131-C131

Honda Systems

90-93	Honda	Accord 2-door, 4-door	B123-C121
94-97	Honda	Accord 4-cyl 2-door, all models, 4-door, except LX	B121-C121
94-97	Honda	Accord 4-cyl 4-door LX	B122-C121
98-99	Honda	Accord V6	C120L-C120R
93-98	Honda	Civic 2-door, all models except 96-98 DX	B101-C101
96-98	Honda	Civic 2-door DX	A101-B101-C101
1999	Honda	Civic 2-door, all models except DX	B101-C116
1999	Honda	Civic 2-door DX	A101-B101-C116
88-91	Honda	Civic 3-door, all models	B104-C104
92-93	Honda	Civic 3-door, all models except 93 California models	B103-C103
93-95	Honda	Civic 3-door, all models, 93 California models	B112-C103
93-95	Honda	Civic 3-door CX	A101-B112-C103
96-99	Honda	Civic 3-door, all models	A101-B106-C106
88-91	Honda	Civic 4-door, all models	B104-C109
92-98	Honda	Civic 4-door, all models except 96-98 LX	B101-C101
96-98	Honda	Civic 4-door LX	A101-B101-C101
1999	Honda	Civic 4-door all models, except LX	B101-C116
1999	Honda	Civic 4-door LX	A101-B101-C116
88-91	Honda	CRX, all models	B107-C107
88-91	Honda	Prelude, all models	B114-C114
92-93	Honda	Prelude, all models except VTEC	B102-C102
92-93	Honda	Prelude VTEC	B115-C102
94-97	Honda	Prelude SH	B117-C117
94-97	Honda	Prelude Non-SH	B118-C117
92-98	Honda	Civic 2-door & 4-door, all models	B131-C131
88-91	Honda	Civic 3-door, all models	B134-C134
92-96	Honda	Civic 3-door, all models	B133-C133
88-91	Honda	CRX, all models	B137-C137
90-98	Mazda	Miata, all models	B402-C402
99-00	Mazda	Miata, all models	B403-C403
93-96	Mazda	RX7	M401
89-94	Mitsubishi	Eclipse AWD	B303-C303
95-98	Mitsubishi	Eclipse GSX	B301-C301
89-91	Mitsubishi	Eclipse FWD	B304-C304
92-94	Mitsubishi	Eclipse FWD	B304-C305
95-98	Mitsubishi	Eclipse GST	B302-C302

Neon Systems

94-99	Dodge/Plymouth	Neon	M501
2000	Dodge/Plymouth	Neon	M502

Nissan Systems

90-99	Nissan	300ZX Twin Turbo	B601-C601L-C601R
-------	--------	------------------	------------------

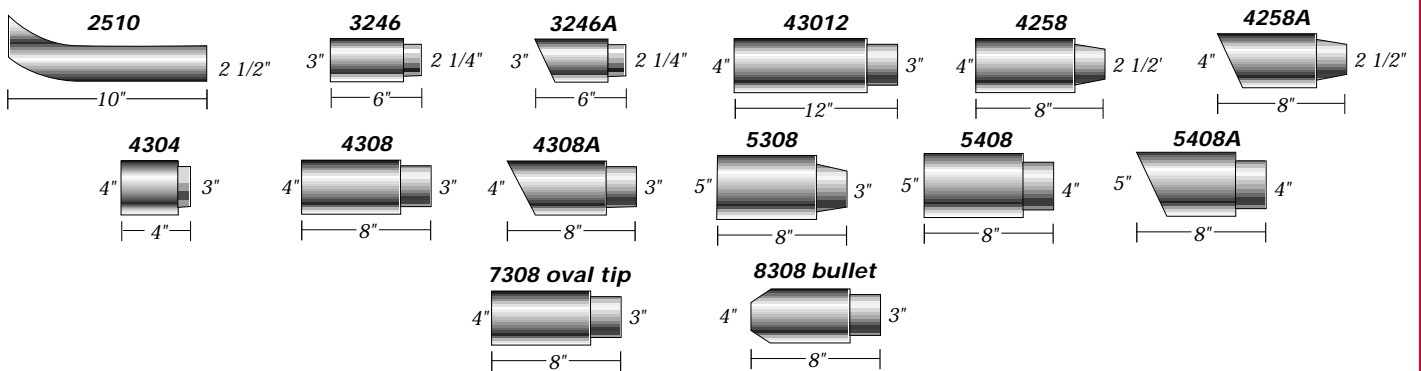
Toyota Systems

91-96	Toyota	MR2 Turbo (single outlet)	M202
93-97	Toyota	Supra Twin Turbo	M201
98-99	Toyota	Corolla	B203-C203

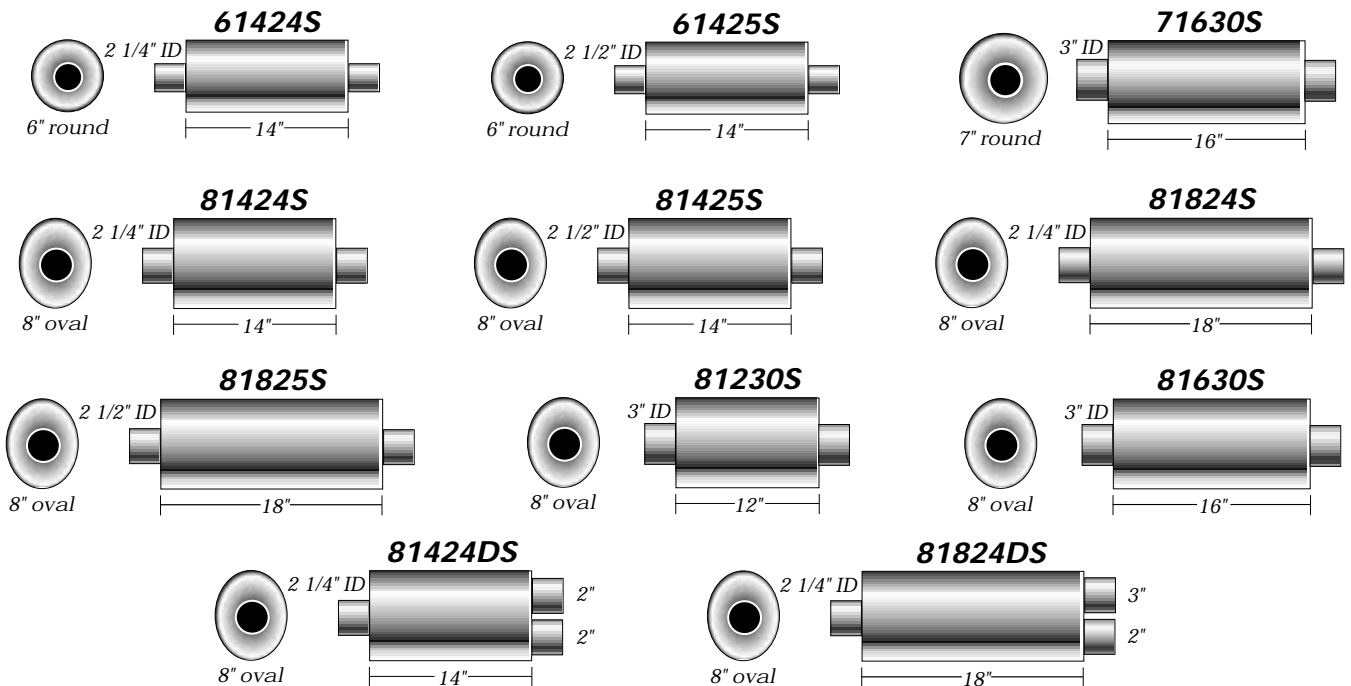
Volkswagen Systems

98-99	Volkswagen	New Beetle Non-Turbo	B701-C702
1999	Volkswagen	New Beetle Turbo	B701-C701

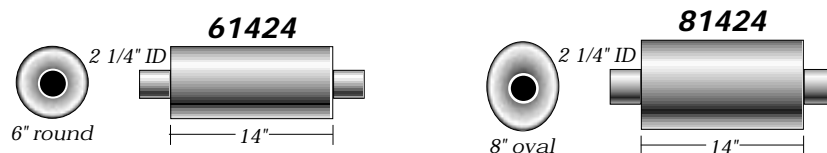
Stainless Tips



Stainless Mufflers



Aluminized Mufflers





**Information or assistance
regarding warranty claims may
be obtained by contacting:**

**THERMAL RESEARCH
& DEVELOPMENT**

**7624 Winnetka Avenue
Canoga Park, CA 91306**

**1.888.2THERMAL
(284.3762)**

**818.998.4865
FAX: 818.998.3161**

Limited Muffler Warranty

Warranty: Thermal Research & Development warrants that all of its exhaust components are free from defects. Each of these systems are warranted against blowouts and defects in material and workmanship for 2 years as long as the original purchaser owns the vehicle on which it was originally installed. The warranty is void if the system is not installed and used strictly in accordance with the manufacturer's instruction for such; and in accordance with good installation and maintenance procedures for the Automotive Industry.

This warranty does not apply to any exhaust component which has been installed on any commercial or racing vehicle or which has been improperly installed, altered, or subjected to misuse or damage from accidents. Thermal Research & Development will not be liable for labor charges and other intangible or consequent losses that might be claimed as a result of the failure of any part, nor shall it be liable for damages or injury to persons or property resulting from misuse or improper installation of any part subject to this warranty.

The warranty certificate, along with proof of purchase, MUST be presented to the service outlet from which the muffler was originally purchased, or any participating dealer, when making a claim for replacement. The original muffler must also be returned and exchanged for a new exhaust component of the same part number.

No other warranty, expressed or implied, including merchantability, applies to the exhaust component, nor is any person or Thermal Research & Development authorized to assume any other warranty. Thermal Research & Development does not assume responsibility for any consequential damages occasioned by the muffler, or inconvenience or interruption in any operation.

This warranty gives you specific legal rights, and you may also have other rights which vary from state to state.

Thermal Research & Development suggests that you always keep your stock exhaust system on hand. This will allow for uninterrupted use of the vehicle should the need arise for removing your Thermal Research & Development exhaust system.

***Many Thermal Research & Development exhaust components are designed for racing and are not legal for street use.**

DISTRIBUTED BY

**PERFORMANCE
EXHAUST SYSTEMS**



**EXHAUST
COMPONENT
CATALOG**

**TO ORDER CALL
1.888.2THERMAL**

BUILDING EXHAUST PRODUCTS WITH THE RACER IN MIND